

RS6-34 GEN:3

RS

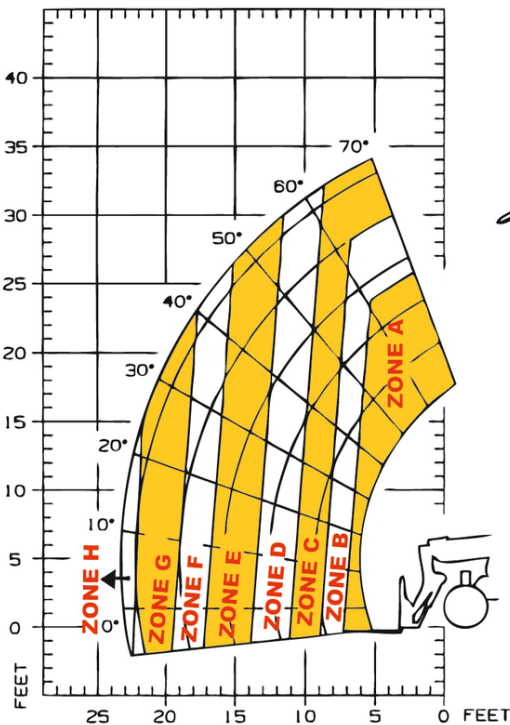


GEHL®

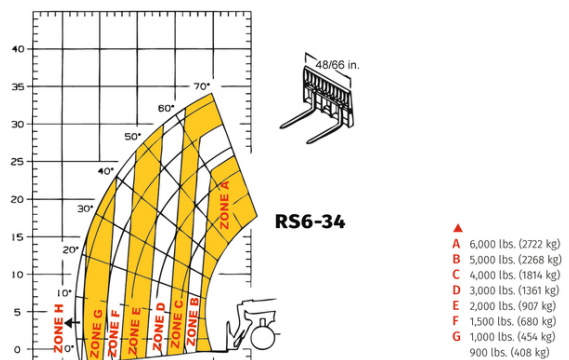
Capacities		Metric		Imperial	
Max. capacity		2721.55 kg		6000 lb	
Max. lifting height		10.44 m		34 ft 3 in	
Max. outreach		7 m		23 ft	
Weight and dimensions					
Overall length to carriage	l1	4.88 m		16 ft	
Overall width	b1	2.40 m		7 ft 10 in	
Overall height	h17	2.36 m		7 ft 9 in	
Wheelbase	y	2.80 m		9 ft 2 in	
Ground clearance	m4	350 mm		14 in	
External turning radius	Wa3	3.80 m		12 ft 6 in	
Unladen weight		6850 kg		15102 lb	
Standard tyres		15 x 19.5		15 x 19.5	
Frame levelling longitudinal +/-		10 °		10 °	
Engine					
Engine brand		Deutz		Deutz	
Engine norm		Stage IV / Tier 4 Final		Stage IV / Tier 4 Final	
Engine model		TD 3.6 L4		TD 3.6 L4	
I.C. Engine power rating - Power (kW)		74 Hp / 55 kW		74 Hp / 55 kW	
Max. torque / Engine rotation		330 Nm @ 2500 rpm		330 Nm @ 2500 rpm	
Transmission					
Transmission type		Torque converter with powershift		Torque converter with powershift	
Number of gears (forward / reverse)		3 / 3		3 / 3	
Max. travel speed		29 km/h		18 mi/h	
Parking brake		SAHR		SAHR	
Service brake		Wet disc brakes		Wet disc brakes	
Axle Manufacturer		Dana		Dana	
Hydraulics					
Hydraulic pump type		Gear pump		Gear pump	
Hydraulic flow / Pressure		110 l/min / 207 bar		110 l/min / 3002 PSI	
Tank capacities					
Hydraulic oil		110 l		29 US gal	
Fuel tank		110 l		29 US gal	
Miscellaneous					
Steering wheels (front / rear)		2 / 2		2 / 2	
Drive wheels (front / rear)		2 / 2		2 / 2	
Safety cab homologation		ROPS/FOPS		ROPS/FOPS	
Controls		Single joystick with FNR		Single joystick with FNR	

RS6-34 GEN:3 - Load chart

Load Chart imperial



Load Chart Other Imperial





GEHL®

Siège Social
P.O. Box 179 - One Gehl Way - West Bend, WI, USA 53095
Tel: (262) 334-9461 - Fax: (262) 338-7517
www.gehl.com



This brochure describes versions and configuration options for Gehl products which may be fitted with different equipment. The equipment described in this brochure may be standard, optional or not available depending on version. Gehl reserves the right to change the specifications shown and described at any time and without prior warning. The manufacturer is not liable for the specifications given. For more information, contact your Gehl dealer. Non-contractual document. Product descriptions may differ from actual products. List of specifications is not comprehensive. The logos and visual identity of the company are the property of Gehl and may not be used without authorization. All rights reserved. The photos and diagrams contained in this brochure are provided for information only.

MANITOU EQUIPMENT AMERICAS, LLC - Limited company with board of directors - Share capital: 39,668,399 euros - 857 802 508 RCS West Bend