

SMG200C-8

PRODUCT SPECIFICATIONS

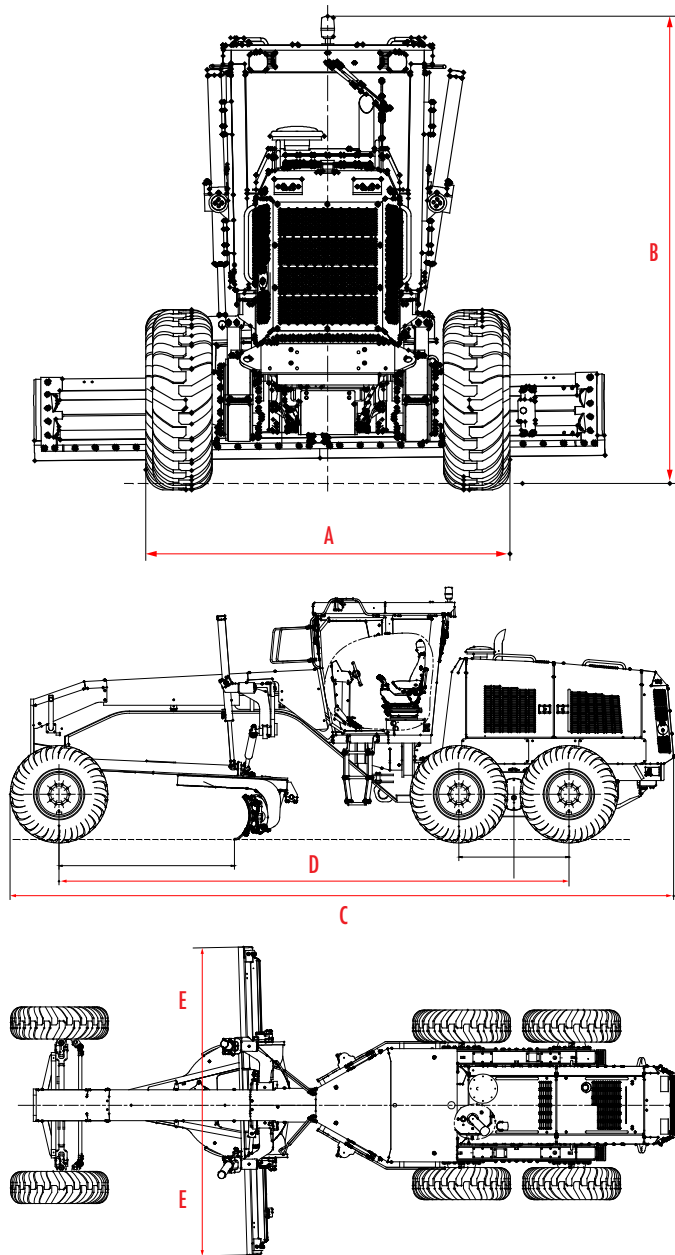


STANDARD FEATURES

- 14-foot blade to quickly handle even large jobs
 - Joystick controls for grading and steering wheel for roading offer simple-to-learn operation
 - Air-conditioned cab and heated air ride seat standard for operator comfort
 - Open cab design with rear-view camera maximizes line of sight and visibility
- ➔ **Engine Output - Net**
186 kW / 253 hp
 - ➔ **Operating Weight**
20 760 kg / 45,768 lb
 - ➔ **Moldboard Width**
4 270 mm / 14 ft

PRODUCT SPECIFICATIONS

MODEL: **SMG200C-8** Motor Grader



OVERALL DIMENSIONS

	METRIC	STANDARD
A Width Over Std Tires	2 725 mm	107.28"
B Height Over ROPS	3 498 mm	137.72"
C Overall Length	9 187 mm	361.69"
D Wheelbase (F/R)	6 300 mm	248.03"
E Width - Moldboard	4 270 mm	14'

In the interest of continual equipment development, SANY America, Inc. reserves the right to change these specifications at any time without prior notification.

Machine Parameters

Engine

Engine Model	Cummins QSL9-C250	
Engine Net Power	186 kW	253 hp
Torque Rated Speed	1,500 rpm	
Displacement	8.9 L	543.1 in ³
Turbo Charged with Intercooler	Yes	

Operating

Frame Type	Articulated	
Moldboard	4 270 mm	14 ft
Moldboard - Cutting Depth	715 mm	28.15 in
Moldboard Height	620 mm	24.41 in
Moldboard - Lift Above Ground	480 mm	18.9 in
Frame Articulation	22°	
Front Wheel Lean	17°	
Axle Oscillation	16°	
Turning Radius - Minimum	7.5 m	295.28 in
Transport Width	2 725 mm	107.28 in
Fuel Tank	340 L	89.82 gal
Telematics Available	Yes	

Powertrain

Drive Configuration	6 x 4	
Traction Aid	Manual Differential Lock	
Service Brake Type	Wet Multiple-Disc	
Number of Axles	2	
Tire Size - Standard	17.5-25	

Transmission

Transmission Type	Direct-Drive, Power Shift	
Number of Speeds	8-Forward	

Weight

Operating Weight	20 460 kg	45,107 lb
Operating Weight - Maximum	20 760 kg	45,768 lb
Loading - Rear Axle / Tandem	15 335 kg	33,808 lb
Blade Down Pressure	9 038 kgf	19,925 lbf